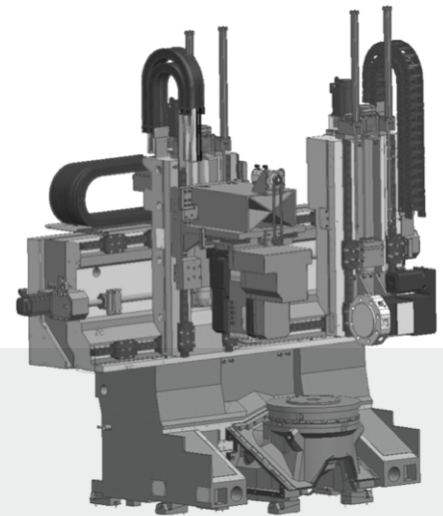


## VDM SERIES

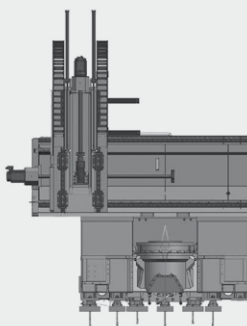


VDM with one spindle and two cross slides

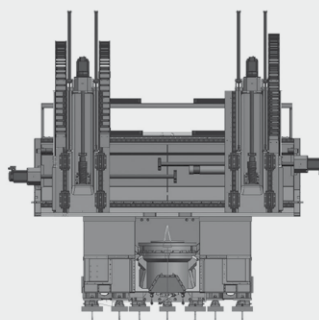
### Vertical Lathes

#### BENEFITS

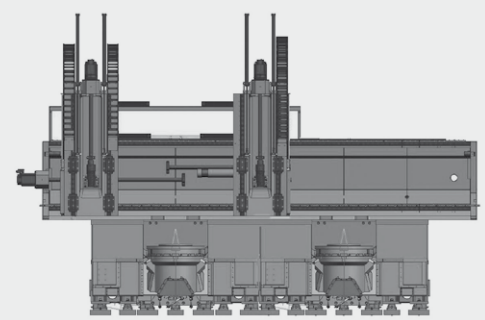
- ▶ Precise and safe workpiece clamping through dead weight support
- ▶ Highest processing accuracy through thermo-symmetrical construction of the headstock with circulating oil lubrication
- ▶ Extremely stable machine housing
- ▶ Great flexibility for the optimal solution of complex turning tasks
- ▶ Many options
- ▶ Ergonomically favorable operation and accessibility of the work area
- ▶ Optimum chip fall thanks to 45° bevel
- ▶ Machine bed available in mineral cast version



2-axis



4-axis



Double table machine

VDM Series	Max. turning diameter (mm)	Max. swing diameter (mm)	Workpiece height (clamp+workpiece) (mm)
550	600	680	600
800	800	900	650
1000	1150	1450	800
1600	1600	1800	830
2000	1800	1950	830